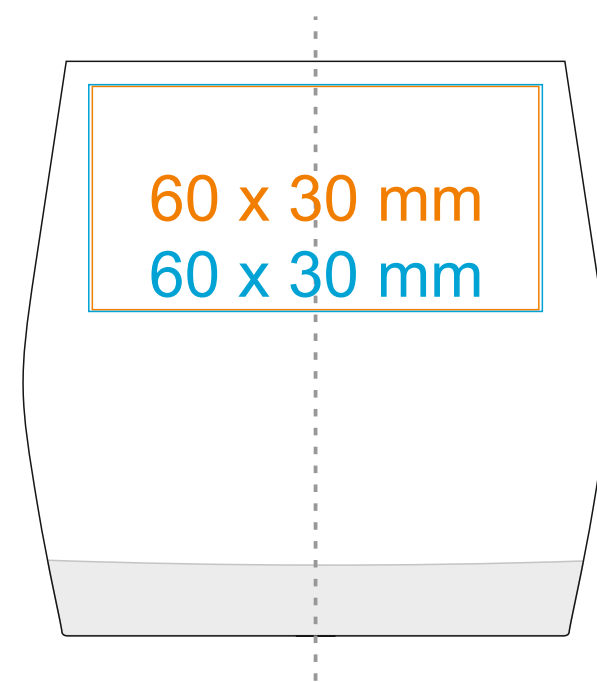
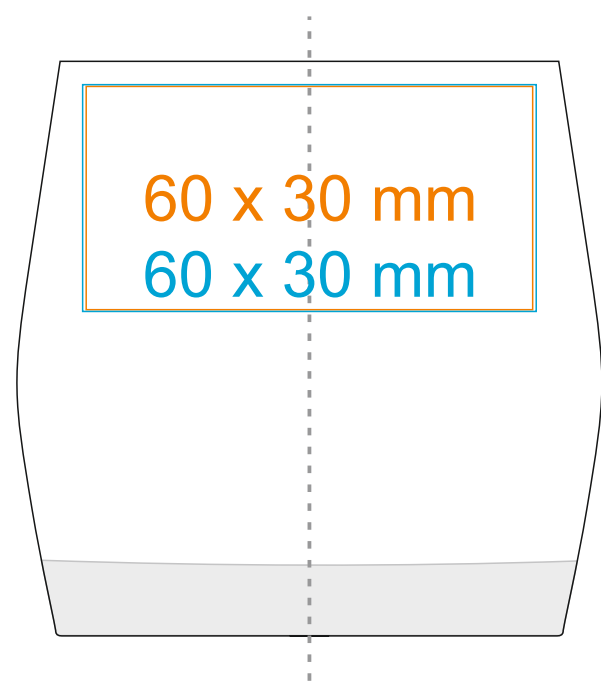


G_538 Eos

230 ml / h: 76 mm / Ø 66 mm



*In the case of projects for transfer print running outside of the standard print area, please contact our sales department.

[How to prepare print material](#)

meaning

- Transfer Print
- Laser Engraving